

POSB12200A-E1/U1/U2/A3 series

12V / 2A Wall mounted type AC/DC adaptor with plug EU/UK/US/AU



■ Features:

- Universal AC input / Full range
- ErP step II / CEC level VI compliance
- No load power consumption $P < 0.075W$
- Protections: Overload / Short circuit / Over Voltage



ELECTRICAL SPECIFICATION

 CONSTANT VOLTAGE



MODEL	POSB12200A-E1/U1/U2/A3
OUTPUT	
<i>Rated Voltage</i>	12V
<i>Rated Current</i>	2A
<i>Current Range</i>	0 ÷ 2A
<i>Rated Power</i>	24W
<i>Line Regulation</i>	± 1%
<i>Load Regulation</i>	± 5%
<i>Tolerance</i>	± 5%
<i>Ripple & Noise (max.)</i>	120mV _{p-p}
<i>Setup, Rise Time</i>	5000ms, 30ms / 230VAC at full load
<i>Hold up Time (typ.)</i>	4ms / 230VAC at full load

INPUT	
<i>Voltage Range</i>	90 ÷ 264VAC
<i>Frequency Range</i>	47 ÷ 63Hz
<i>Efficiency (typ.)</i>	86,2%
<i>AC Current (typ.)</i>	0.3A / 230VAC
<i>No load Power Consumption (max.)</i>	0.075W

PROTECTIONS	
<i>Overload</i>	Range: 105-200% Auto-recovery.
<i>Short Circuit</i>	Type: hiccup mode, auto-recovery.
<i>Over Voltage</i>	Type: auto-recovery.

POSB12200A-E1/U1/U2/A3 series

12V / 2A Wall mounted type AC/DC adaptor with plug EU/UK/US/AU



WORKING ENVIRONMENT

Working Temperature	-10°C ÷ 45°C
Working Humidity	10 ÷ 90% RH non-condensing
Storage Temperature and Humidity	-20°C ÷ 60°C, 5 ÷ 90% RH non-condensing

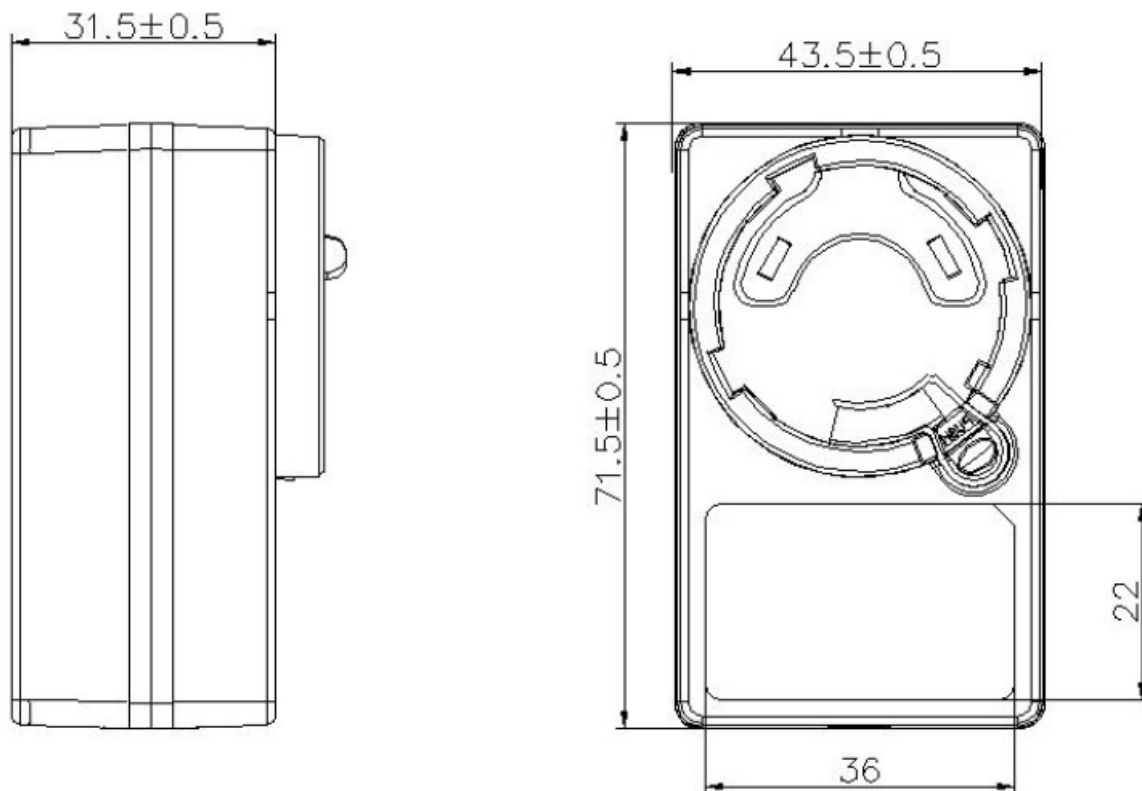
SAFETY and EMC REGULATIONS

Safety Standards	Compliance to EN 60950-1
Withstand Voltage	IN/OUT: 3.6kVAC
Isolation Resistance	IN/OUT: 50MΩ/500VDC/25°C/70%
EMC Emission	Compliance to EN55032, FCC PART 15B, AS/NZS CISPR22
EMC Immunity	Compliance to EN61000-4-2, -3, -4, -5
Harmonic Current	Compliance to EN61000-3-3; EN61000-3-2

OTHERS

DC wire and plug	Wire: 20AWG*2C, length = 1200mm	Plug: 2.1/5.5, positive inside
Net Weight / Dimensions	150g / 71.5 x 43.5 x 31.5mm (L x W x H)	

MECHANICAL SPECIFICATION



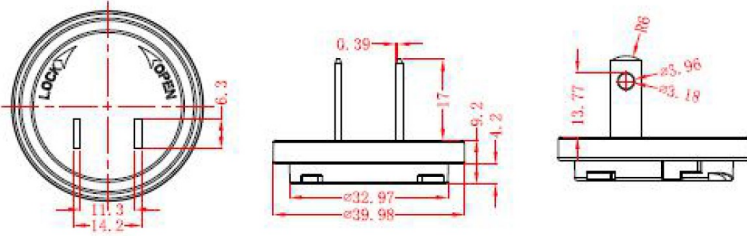
POSB12200A-E1/U1/U2/A3 series

12V / 2A Wall mounted type AC/DC adaptor with plug EU/UK/US/AU

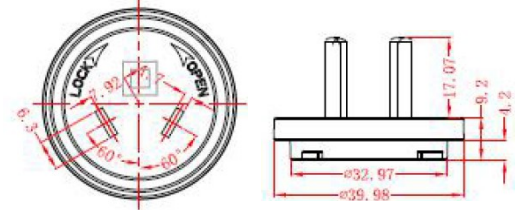


MECHANICAL SPECIFICATION:

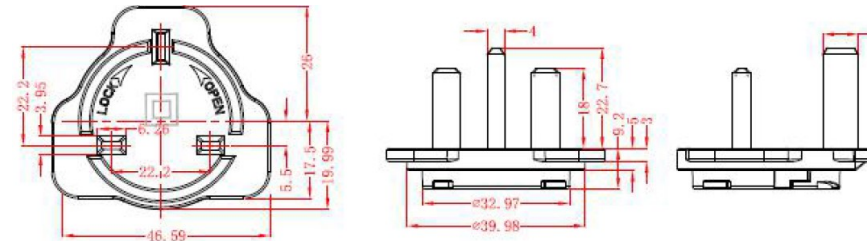
US PLUG



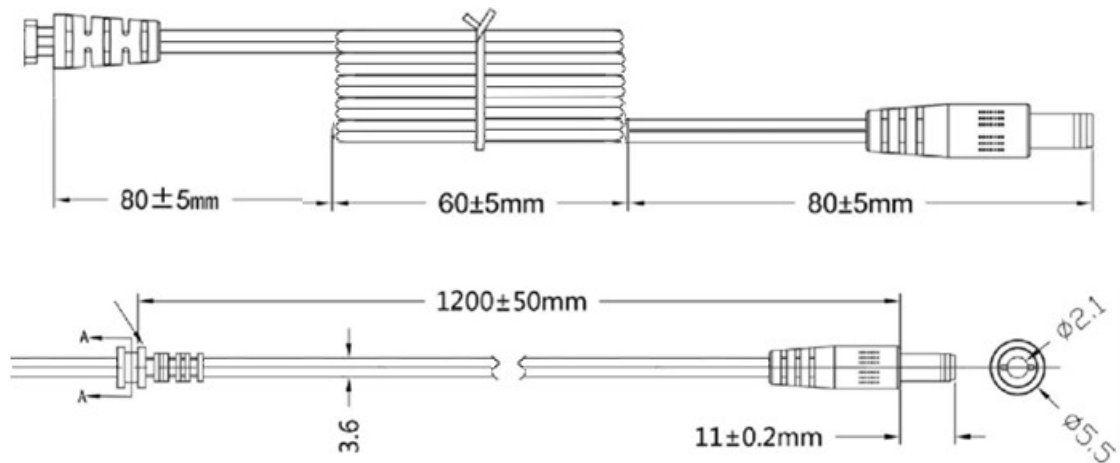
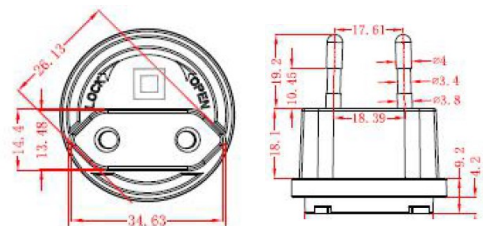
Australia PLUG



UK PLUG



EU PLUG



1. All parameters NOT specially mentioned are measured at 230VAC input, rated load and 25°C of ambient temperature.
2. Ripple & noise are measured at 20MHz of bandwidth by using a 12" twisted pair-wire terminated with a 0.1µF / 47µF parallel capacitor.
3. Tolerance includes set up tolerance, line regulation and load regulation.
4. Setup and rise time is measured from 0 to 90% rated output voltage.
5. Power supply is considered as component not indented to apply by end-user. Power supply meets safety and EMC standards however the final equipment with power supply must be re-quality to comply with EMC Directives.