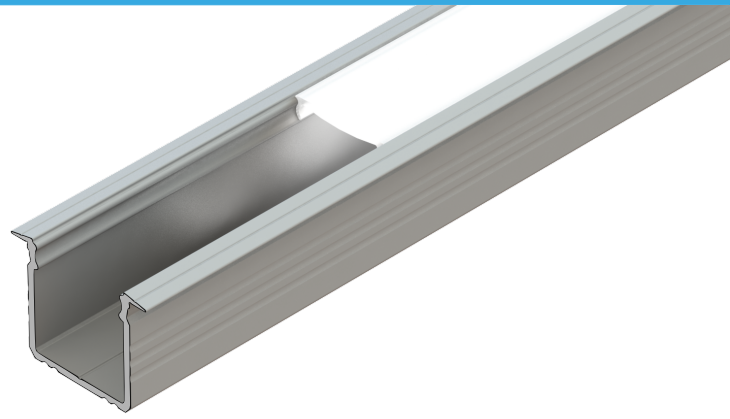


recessed LED profile

GLG3



Main features:

- possible to obtain a "light line"
- excellent heat dissipation
- designed and manufactured in the EU
- easy to install and remove the cover

Application:

- home and shop furniture lighting
- decorative and lighting installations
- for precise detail illumination
- installation in stairs and cavities

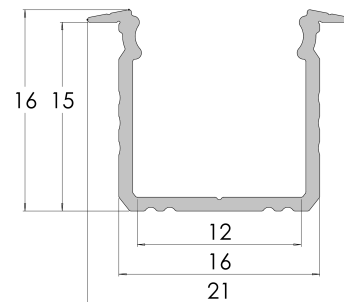
Available colors

-  raw aluminum
-  silver anodized
-  white powder coated
-  black powder coated

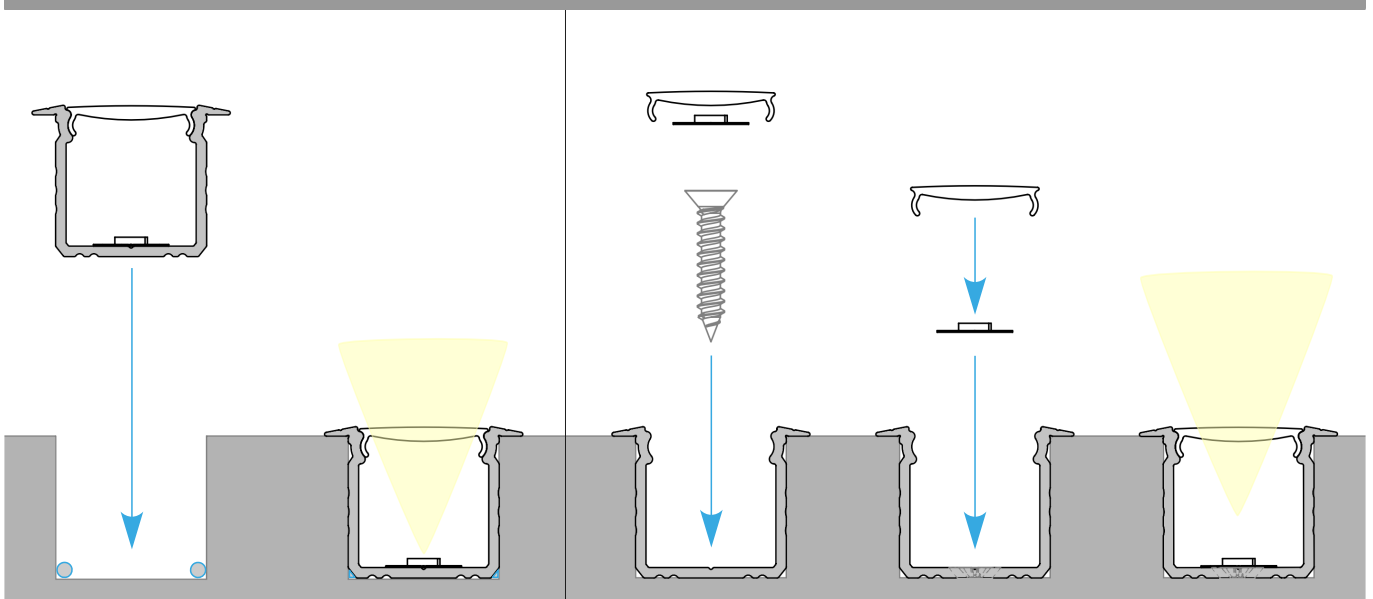
Additional information

Profile type	recessed standard
LED strip width	max. 12mm
Standard lengths	1000mm, 2020mm, 3000mm
Installation method	screws, glue

Dimensions [mm]:



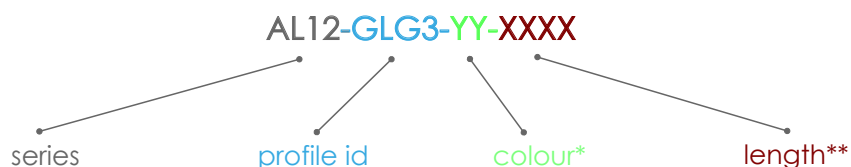
Installation scheme



Example of assembly with adhesive.

Example of screw installation.

Product code



* **AS** - silver anodized, **LB** - black powder coated, **LW** - white powder coated, **RW** - raw aluminum

** **1000** - 1m, **2020** - 2,02m, **3000** - 3m

Available accessories

Professional polycarbonate covers (PC) / light transmittance



PVC covers / light transmittance



Endcaps



grey, black, white



Detailed accessory list

AL12-COV-TR-PC-XXXX*	transparent cover PC	AL12-GLG3-AS-EC-SET10	10sets of grey endcaps**
AL12-COV-FR-PC-XXXX*	frost cover PC	AL12-GLG3-AS-EC-SET50	50sets of grey endcaps**
AL12-COV-OP-PC-XXXX*	opal cover PC	AL12-GLG3-LW-EC-O	white endcap with hole
AL12-COV-ML-PC-XXXX*	milky cover PC	AL12-GLG3-LW-EC-SET10	10sets of white endcaps**
AL12-COV-BL-PC-XXXX*	black cover PC	AL12-GLG3-LW-EC-SET50	50sets of white endcaps**
AL12-COV-TR-PVC-XXXX*	transparent cover PVC	AL12-GLG3-AB-EC-O	black endcap with hole
AL12-COV-ML-PVC-XXXX*	milky cover PVC	AL12-GLG3-AB-EC-SET10	10sets of black endcaps**
AL12-GLG3-AS-EC-O	grey endcap with hole	AL12-GLG3-AB-EC-SET50	50sets of black endcaps**

* **1000** - 1m, **2020** - 2.02m, **3000** - 3m, ** 1set of end caps include: 2x end cap with hole