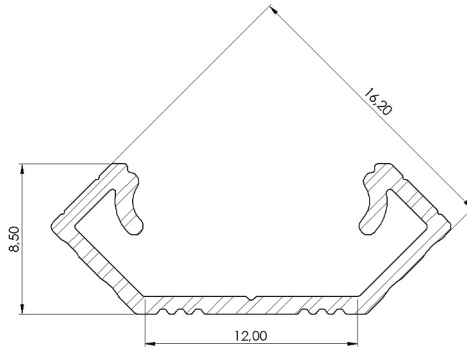
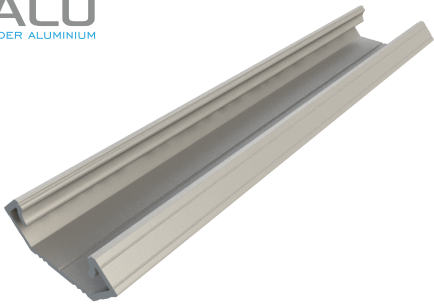


ALU licht

professional led profiles



powered by



dimensions in millimetres

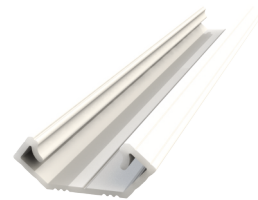
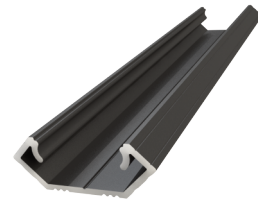
CORNER PROFILE GLC1

The most important features:

- excellent heat dissipation
- designed and manufactured in Poland
- cover made of polycarbonate – UV & heat resistant

Application:

- decorative and lighting installations
- beam angle 45°
- precise backlight of details
- installation: stairs



Specifications

Available colours	silver, white, black
Material	anodized aluminium
Application	standard corner
LED strip width	up to 12 mm
Basic length	2020 mm
Additional lengths	1000 mm, 3000 mm, 4150 mm
Beam angle	45°

LEDCornerProfileGLC1

Productcode	Productdescription						
AL12-GLC1-AS-1000	Anodizedsilver1000mm	AL12-GLC1-AB-1000	Anodizedblack1000mm	AL12-GLC1-LW-1000	Lacqueredwhite 1000mm	AL12-GLC1-RW-1000	Raw1000mm
AL12-GLC1-AS-2020	Anodizedsilver2020mm	AL12-GLC1-AB-2020	Anodizedblack2020mm	AL12-GLC1-LW-2020	Lacqueredwhite 2020mm	AL12-GLC1-RW-2020	Raw2020mm
AL12-GLC1-AS-3000	Anodizedsilver3000mm	AL12-GLC1-AB-3000	Anodizedblack3000mm	AL12-GLC1-LW-3000	Lacqueredwhite 3000mm	AL12-GLC1-RW-3000	Raw3000mm
AL12-GLC1-AS-4150	Anodizedsilver4150mm	AL12-GLC1-AB-4150	Anodizedblack4150mm	AL12-GLC1-LW-4150	Lacqueredwhite 4150mm	AL12-GLC1-RW-4150	Raw4150mm

LEDprofileGLC1 covers



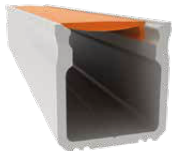
Cover PCV milky		Cover PCV transparent		Cover PC frost professional		Cover PC milky professional		Cover PC transparent professional	
1000 mm	AL12-COV-ML-PVC-1000	1000 mm	AL12-COV-TR-PVC-1000	1000 mm	AL12-COV-FR-PC-1000	1000 mm	AL12-COV-ML-PC-1000	1000 mm	AL12-COV-TR-PC-1000
2020 mm	AL12-COV-ML-PVC-2020	2020 mm	AL12-COV-TR-PVC-2020	2020 mm	AL12-COV-FR-PC-2020	2020 mm	AL12-COV-ML-PC-2020	2020 mm	AL12-COV-TR-PC-2020
3000 mm	AL12-COV-ML-PVC-3000	3000 mm	AL12-COV-TR-PVC-3000	3000 mm	AL12-COV-FR-PC-3000	3000 mm	AL12-COV-ML-PC-3000	3000 mm	AL12-COV-TR-PC-3000
4150 mm	AL12-COV-ML-PVC-4150	4150 mm	AL12-COV-TR-PVC-4150	4150 mm	AL12-COV-FR-PC-4150	4150 mm	AL12-COV-ML-PC-4150	4150 mm	AL12-COV-TR-PC-4150

AccessoriesGLC1 LED



AL12-GLC1-AB-EC AL12-GLC1-AS-EC AL12-GLC1-LW-EC AL12-GLC1-AB-EC-O AL12-GLC1-AS-EC-O AL12-GLC1-LW-EC-O

Easy cover assembly



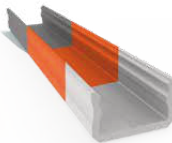
Thanks to the use of a semi-circular cover slot, the installation is trouble-free, and disassembly does not damage the cover.

Heat dissipation



The ribbed base provides much more efficient heat dissipation than in traditional profiles.

Paint



In addition to anodized profiles (silver, inox stainless steel, black), in the case of wholesale orders, it is possible to order powder coated profiles in any color from the RAL palette.

Mountage brackets



The holder is an ideal solution for mounting LED profiles in kitchen cabinets, shelves, etc. Provides strong and stable fixing of the profile to the ground.