

# ADWS-250 series

250W LED Ultra Short Power Supply



## ■ Features:

- Constant voltage design
- European AC input range
- Protections: Short circuit / Over current / Over Temperature
- Cooling by free air convection
  - Ultra short case design
- Fully encapsulated with IP67 level [5]

**RoHS SELV**  

## © ELECTRICAL SPECIFICATION

MODEL	ADWS-250-12	ADWS-250-24
<b>OUTPUT</b>		
<i>Rated Voltage</i>	12V	24V
<i>Rated Current</i>	21A	10.5A
<i>Rated Power</i>	252W	
<i>Line Regulation</i>	± 1%	
<i>Load Regulation</i>	± 1%	
<i>Tolerance [3]</i>	± 2%	
<i>Ripple &amp; Noise (max.) [2]</i>	1.70V <sub>p-p</sub>	
<i>Setup, Rise Time [4]</i>	1.50s, 4ms / 230VAC at full load	
<i>Hold up Time</i>	24ms / 230VAC at full load	
<b>INPUT</b>		
<i>Voltage Range</i>	170 ÷ 264VAC	
<i>Frequency Range</i>	47 ÷ 63Hz	
<i>Efficiency (typ.)</i>	87%	
<i>AC Current (typ.)</i>	2.10A / 230VAC	
<b>PROTECTIONS</b>		
<i>Overload</i>	Range: 110 ÷ 180% of rated current Type: hiccup mode, auto-recovery.	
<i>Short Circuit</i>	Type: Shut down o/p voltage, re-power on to recover	
<i>Over Temperature</i>	Range: 110°C ± 10°C (detect by main IC) Type: Shut down o/p voltage, re-power on to recover	
<b>WORKING ENVIRONMENT</b>		
<i>Working Temperature</i>	-30°C ÷ 50°C (Refer to Derating Curve)	
<i>Working Humidity</i>	20 ÷ 99% RH non-condensing	
<i>Storage Temperature and Humidity</i>	-40°C ÷ 80°C, 10 ÷ 99% RH non-condensing	

# ADWS-250 series

250W LED Ultra Short Power Supply



## SAFETY AND EMC REGULATIONS

<b>Safety Standards</b>	Compliance to EN61347-1, EN61347-2-13, IP67
<b>Withstand Voltage</b>	I-P/O-P: 1.5kVAC; I-P/GND: 1.5kVAC
<b>EMC Emission</b>	Compliance to EN55015
<b>EMC Immunity</b>	Compliance to EN61547: 2009
<b>Harmonic Current</b>	Compliance to EN61000-3-2: 2014; EN61000-3-3: 2013

## OTHERS

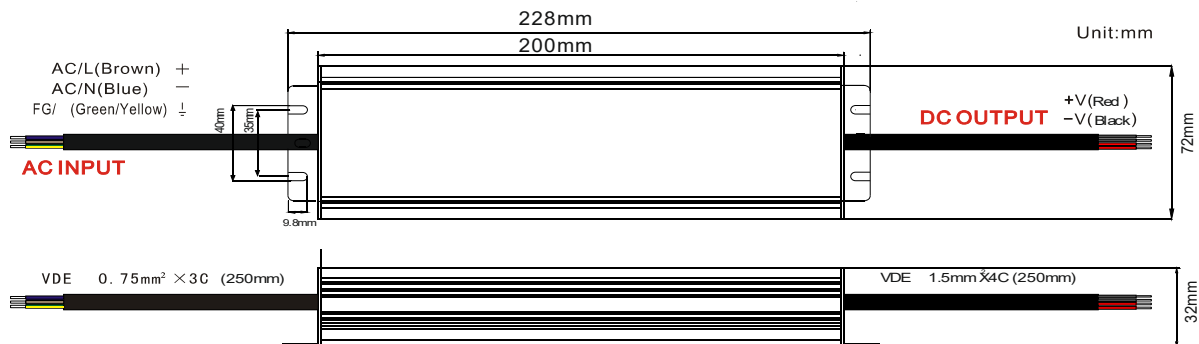
<b>Dimensions</b>	228 x 72 x 32mm (L x W x H)
<b>Weight and Packing</b>	1.1kg; 10pcs./ctn; ctn weight and dimensions: 11kg; 45.5 x 26 x 11.5cm

EAN code



1. All parameters NOT specially mentioned are measured at 230VAC input, rated load and 25°C of ambient temperature.
2. Ripple & noise are measured at 20MHz of bandwidth by using a 12" twisted pair-wire terminated with a 0.1µF i 47µF parallel capacitor.
3. Tolerance includes set up tolerance, line regulation and load regulation.
4. Setup and rise time is measured from 0 to 90% rated output voltage.
5. Power supply is considered as component not indented to apply by end-user. Power supply meets safety and EMC standards however the final equipment with power supply must be re-quality to comply with EMC Directives.

## MECHANICAL SPECIFICATION



## DERATING CURVE

