

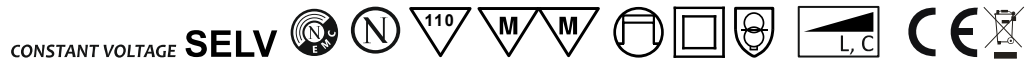
GTPC-100-D series

100W PWM style output LED Triac Dimmable Constant Voltage Power Supply



■ Features:

- Constant voltage PWM style output
 - Constant voltage design
 - European AC input range
- Protections: Overload / Over voltage / Short circuit
 - Cooling by free air convection
 - Isolation class II
- Suitable to work with AC triac dimmers
 - CB certificate



Ⓢ ELECTRICAL SPECIFICATION

MODEL	GTPC-100-12-D	GTPC-100-24-D
-------	---------------	---------------

OUTPUT

Rated Voltage	12V	24V
Rated Current	8.3A	4.2A
Current Range	0 ÷ 8.3A	0 ÷ 4.2A
Rated Power	100W	
Dimming range	1 – 100%	
Line Regulation	± 2%	
Load Regulation	± 2%	
Tolerance [3]	± 2%	
Ripple & Noise (max.) [2]	300mV _{p-p}	
Setup [4]	500ms / 230VAC at full load	

INPUT

Voltage Range	220 ÷ 240VAC					
Frequency Range	47 ÷ 63Hz					
Efficiency (typ.)	89%			91%		
AC Current (typ.)	0.60A / 230VAC					
Inrush Current (typ.)	65A / 230VAC; 500µs					
Max. No. Of PSU on Circuit Breaker	B10	B16	C10	C16	D10	D16
	2	3	3	4	5	8

DIMMING

Dimming Range	1 – 100% of rated output current
Suitable dimmers	Triac dimmers (leading or trailing edge) compatible with capacitive or inductive load

GTPC-100-D series

100W PWM style output LED Triac Dimmable Constant Voltage Power Supply



PROTECTIONS

Overload	Range: > 150% Type: hiccup, auto-recovery.
Short Circuit	Type: hiccup, auto-recovery.
Over Voltage	Type: hiccup, auto-recovery.

WORKING ENVIRONMENT

Working Temperature	-20°C ÷ 50°C, ta: 40°C; tc: 80°C
Working Humidity	20 ÷ 90% RH non-condensing
Storage Temperature and Humidity	-20°C ÷ 70°C, 10 ÷ 95% RH non-condensing

SAFETY and EMC REGULATIONS

Safety Standards	Compliance to EN 61347-1, EN 61347-2-13, EN 60598-1
Withstand Voltage	IN/OUT: 3.75kVAC
Isolation Resistance	IN/OUT: 100MΩ/500VDC/25°C/70%
EMC Emission	Compliance to EN 55015, EN 62493
EMC Immunity	Compliance to EN 61547
Harmonic Current	Compliance to EN 61000-3-3; EN 61000-3-2

OTHERS

Lifetime (typ.)	30 000 hours
Dimensions	210 x 67 x 34mm (L x W x H)
Weight and Packing	360g; 50pcs./ctn; ctn weight and dimensions: 18kg; 38.5 x 36.5 x 23.5cm

EAN Code



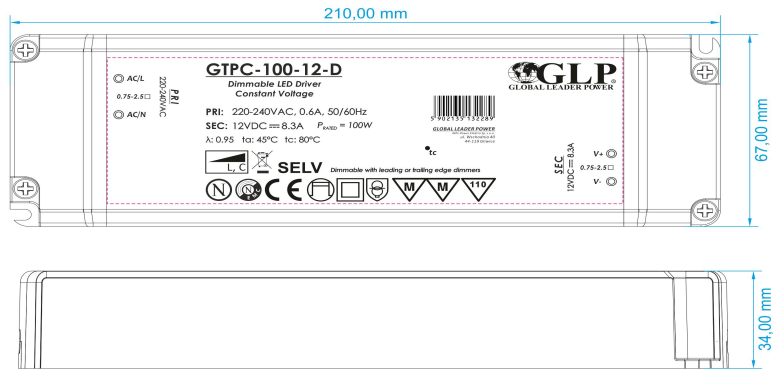
1. All parameters NOT specially mentioned are measured at 230VAC input, rated load and 25°C of ambient temperature.
2. Ripple & noise are measured at 20MHz of bandwidth by using a 12" twisted pair-wire terminated with a 0.1μF i 47μF parallel capacitor.
3. Tolerance includes set up tolerance, line regulation and load regulation.
4. Setup time is measured from 0 to 90% rated output voltage.
5. Power supply is considered as component not indented to apply by end-user. Power supply meets safety and EMC standards however the final equipment with power supply must be re-quality to comply with EMC Directives.

GTPC-100-D series

100W PWM style output LED Triac Dimmable Constant Voltage Power Supply



© MECHANICAL SPECIFICATION



© SUGGESTED CONNECTION DIAGRAM WITH DIMMER

